

# WOOD SABRE

Marking Gauge

## User Manual

Thank you for choosing this product from JessEm Tool Company. We appreciate your support and hope that our product serves you well. This product is designed to provide many years of reliable service provided it is used as intended and taken care of.

This user manual will assist you in assembly and general operation of this product. It is not our intent to teach you about Woodworking. It is assumed that you are an experienced woodworker with the basic skills and experience necessary to use this product safely. If after reading the following instructions, you are unsure or uncomfortable about safely using this product we urge you to seek additional information through widely available woodworking books or classes.



**JessEm**  
Tool Company

61 Forest Plain Road  
Orillia, Ontario, Canada  
L3V 6H1

**Toll Free:** 1-800-436-6799

**Local:** 705-726-8233

**Fax:** 705-327-0295

**Email:** [jessem@jessem.com](mailto:jessem@jessem.com)

**Website:** [www.jessem.com](http://www.jessem.com)

### **IMPORTANT!**

Read and understand the contents of this manual before assembly or operation of this product.

As part of our Continuous Product Improvement Policy, JessEm products are always advancing in design and function between what is shown in our catalogs, website or at retail display and what is sold at time of purchase. We reserve the right to make positive changes to our products at our discretion.



**IMPORTANT: WHEN DOING ANY ADJUSTMENTS, DO NOT OVERTIGHTEN THE #13 & #10 SET SCREWS! DOING SO WILL CAUSE BINDING IN THE GAUGE**

### **ADJUSTING BLADE FLUSH TO WEAR PLATE**

Your Wood Sabre has been calibrated at the factory before shipping. However, if you do find it necessary to adjust the blade, it is a simple process.

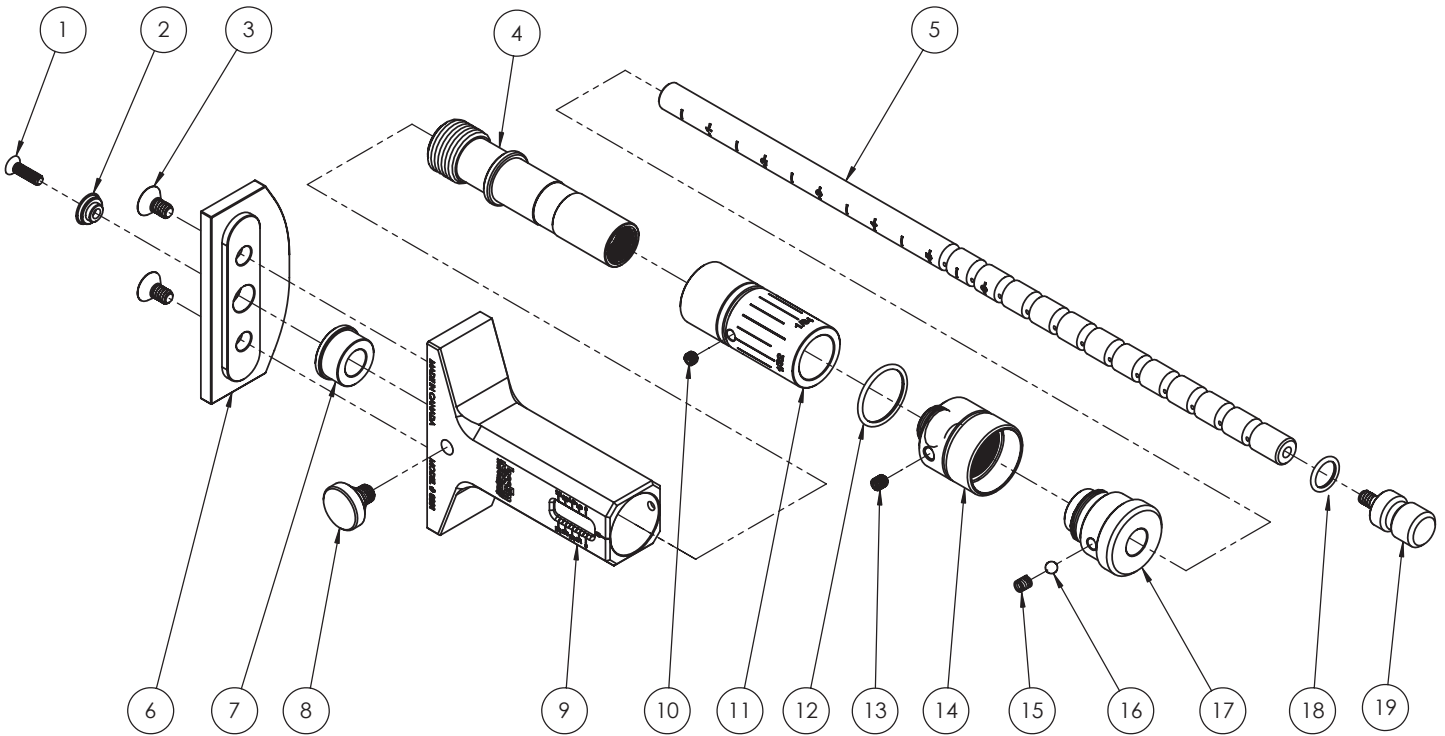
With a 5/64" hex key, loosen the set screw on the spring retainer (#14). While holding the gauge at "0" on the sight window either advance or retract the detent ball mount (#17) in relation to the Spring Retainer (#14) to adjust the Blade (#2) flush with the wear plate (#6). Retighten the Set Screw (#13). **DO NOT OVERTIGHTEN SET SCREW #13 AS THIS WILL CAUSE BINDING.**

### **DIALING IN YOUR WOOD SABRE MARKING GAUGE**

The Adjustment Shaft is detented at 1/2" increments. For measurements in between, you can precisely dial in your setting.

For example : For a 3/4" scribe, loosen the Shaft Locking Knob (#8), slide the Adjustment Shaft (#5) forward to the nearest 1/2" **under** your final desired setting. Rotate the knurled Spindle (#14, 17). Every complete rotation = 1/16". In order to advance the blade 1/4" to reach the 3/4" setting, rotate the spindle 4 complete revolutions aligning the "0" marks on the Graduated Tube (#11) and the marking Gauge Body (#9). (Notice as you rotate the spindle the sight window on the gauge body has as scale at 1/16" increments). This scale should now be at 1/4". So, to reach the 3/4" setting, we have 1/2" on the adjustment shaft + 1/4" dialed in = 3/4". You are ready to scribe a 3/4" line.

# Exploded View



| Item NO. | Part Number | Description  | QTY. |
|----------|-------------|--|------|
| 1        | F0350       | 6-32 X 3/8" FLAT HEAD PHILLIP DRIVE S.S. MACHINE SCREW | 1    |
| 2        | S0063-1     | MARKING GAUGE BLADE                                    | 1    |
| 3        | F0351       | 10-24 X 1/2" FLAT HEX CAP SCREW STAINLESS STEEL        | 2    |
| 4        | E0210-14-3  | MICRO ADJUSTMENT TUBE                                  | 1    |
| 5        | S0059-1     | ADJUSTMENT SHAFT                                       | 1    |
| 6        | S0060-1     | WEAR PLATE   | 1    |
| 7        | S0053-9     | SHAFT LOCK COLLAR                                      | 1    |
| 8        | S0053-10    | SHAFT LOCKING KNOB                                     | 1    |
| 9        | E0269-1-3   | MARKING GAUGE BODY                                     | 1    |
| 10       | F0352       | 8-32 X 1/8" SOCKET SET SCREW STAINLESS STEEL           | 1    |
| 11       | E0245-3-3   | GRADUATED TUBE   | 1    |
| 12       | F0351       | #18 O-RING   | 1    |
| 13       | F0355       | 8-32 X 3/16" SOCKET SET SCREW STAINLESS STEEL          | 1    |
| 14       | E0211-6     | SPRING RETAINER  | 1    |
| 15       | M0343       | COMPRESSION SPRING                                     | 1    |
| 16       | F0356       | 5/32" BALL BEARING                                     | 1    |
| 17       | E0211-7-3   | DETENT BALL MOUNT                                      | 1    |
| 18       | F0357       | #12 O-RING   | 1    |
| 19       | S0062-1     | SHAFT STOP KNOB  | 1    |